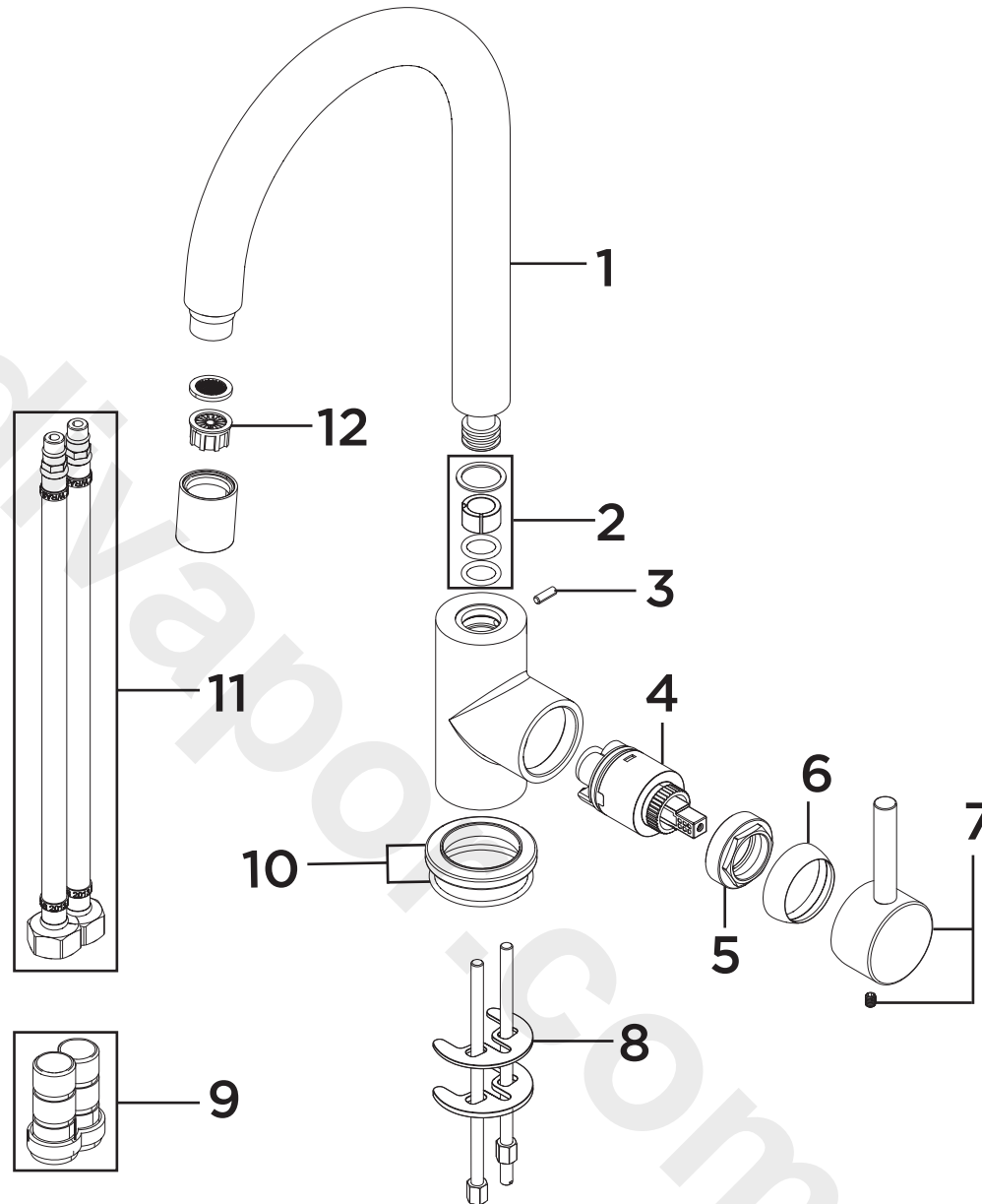


Product Code: PM SNK C

Revision: D4



1	Spout Assembly
2	Spout Seals Kit
3	M4 x 12mm Grub Screw
4	Cartridge
5	Cartridge Retaining Nut
6	Shroud
7	Handle Assembly
8	Fixing Kit
9	Isolation Valves (Pair)
10	Plinth & O-Ring
11	G1/2" Female Flexible Tails (Pair)
12	M24 Flow Straightener